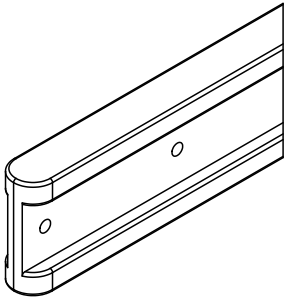
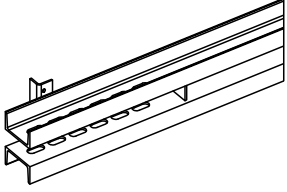
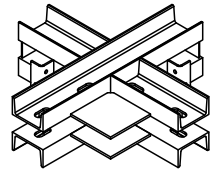

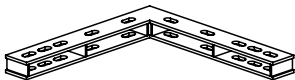


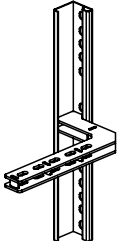


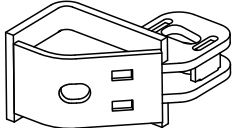
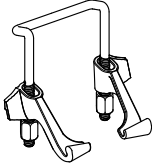
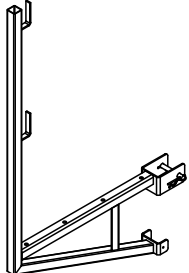
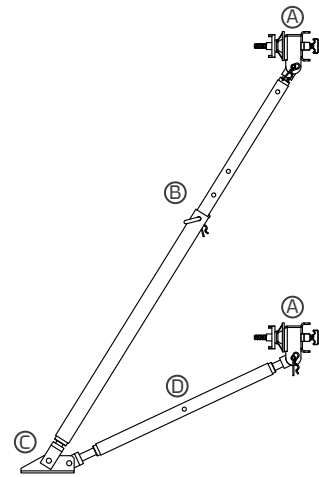


Description & Dimensions	Weight (kg)	Cat. No.	
H20 Timber Beam L=5.90m	26.6	6260005	
H20 Timber Beam L=4.90m	22.1	6260010	
H20 Timber Beam L=3.90m	17.6	6260015	
H20 Timber Beam L=3.60m	16.2	6260020	
H20 Timber Beam L=3.30m	14.9	6260025	
H20 Timber Beam L=2.90m	13.1	6260030	
H20 Timber Beam L=2.65m	11.9	6260040	
H20 Timber Beam L=2.45m	11.1	6260045	
H20 Timber Beam L=1.90m	8.6	6260050	
<hr/>			
Maze Steel Waling L=6.00m	118.0	74001170	
Maze Steel Waling L=5.50m	112.4	74001160	
Maze Steel Waling L=5.00m	102.0	74001150	
Maze Steel Waling L=4.50m	89.1	74001140	
Maze Steel Waling L=4.00m	79.4	74001130	
Maze Steel Waling L=3.50m	68.4	74001120	
Maze Steel Waling L=3.00m	60.2	74001110	
Maze Steel Waling L=2.75m	54.2	74001100	
Maze Steel Waling L=2.50m	48.7	74001090	
Maze Steel Waling L=2.25m	44.2	74001080	
Maze Steel Waling L=2.00m	38.9	74001070	
Maze Steel Waling L=1.75m	35.0	74001060	
Maze Steel Waling L=1.50m	29.7	74001050	
Maze Steel Waling L=1.25m	24.7	74001040	
Maze Steel Waling L=1.00m	19.6	74001030	
Maze Steel Waling L=0.75m	14.9	74001020	
Maze Steel Waling L=0.50m	10.2	74001010	
<hr/>			
Maze Corner Element	20.0	74000133	
<hr/>			
Maze Connector	7.0	74000090	
<hr/>			
Maze Internal Corner Connector	10.0	74000098	
<hr/>			
Maze External Corner Connector	11.0	74000099	

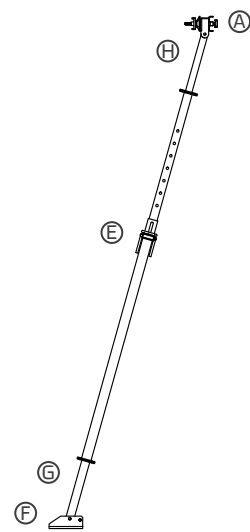
Description & Dimensions	Weight (kg)	Cat. No.	
Maze Vertical Standing Plate Connector	11.0	74000093	
Maze to Rummy Corner Adapter	15.0	74000101	
Maze Lifting Bracket	8.0	74000095	
Maze Connecting Oval Wedge	1.0	74000140	
Maze Outside Corner Tie Bracket Connector	4.0	74000096	
Maze Beam Flange Connector	1.0	74000097	
Maze Pouring Bracket	10.0	74000260	

Description & Dimensions	Weight (kg)	Cat. No.
--------------------------	-------------	----------

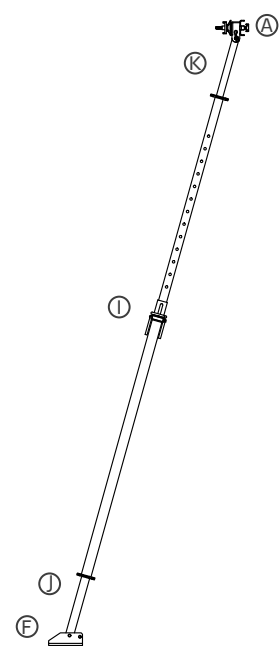
Maze Panel Strut 3.0m	29.0	
Ⓐ Maze Closer Plate for Strut	3.0	74000285
Panel Strut 3.0m	23.0	96000335
Ⓑ Main Strut		96000335-1
Ⓒ Strut Connector		96000335-3
Ⓓ Lower Spindle Strut		96000335-2



Maze Panel Strut 3.5m	43.0	
Ⓐ Maze Closer Plate for Strut	3.0	74000285
Panel Strut 3.5m	40.0	96000324-1
Ⓔ Prop 180/300 20 kN		6250100
Ⓕ Strut Connector		96000341
Ⓖ Lower Extension		96000324-2
Ⓗ Upper Extension		96000324-1

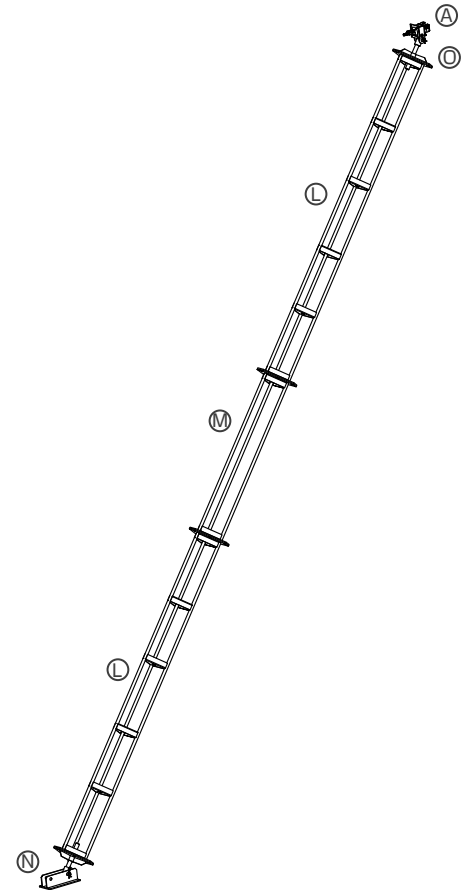


Maze Panel Strut 6.0m	61.0	
Ⓐ Maze Closer Plate for Strut	3.0	74000285
Panel Strut 6.0m	58.0	96000325
Ⓛ Prop 280/500 20 kN		6250102
Ⓕ Strut Connector		96000341
Ⓜ Lower Extension		96000325-2
Ⓨ Upper Extension		96000325-1

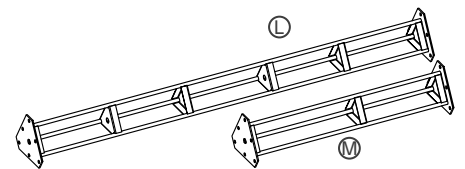


Description & Dimensions	Weight (kg)	Cat. No.
--------------------------	-------------	----------

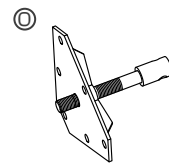
RAM Panel Strut 6.0m	76.0	6046016
RAM Panel Strut 7.5m	95.0	6046018
RAM Panel Strut 9.0m	106.0	6046015
RAM Panel Strut 12.0m	136.0	6046017



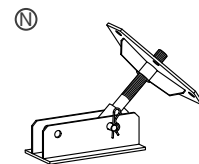
Ⓛ Extension 3m	30.0	66000014
Ⓜ Extension 1.5m	19.0	66000015



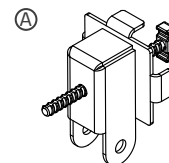
ⓐ RAM Panel Strut Upper Connector	5.6	6106015
-----------------------------------	-----	---------



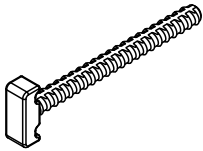
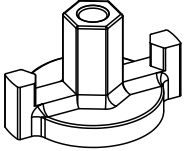
Ⓝ RAM Panel Strut Lower Connector	10.4	6046019
-----------------------------------	------	---------



ⓐ Maze Closer Plate for Struts	3.0	74000285
--------------------------------	-----	----------



*(for use with all panel struts)

Description & Dimensions	Weight (kg)	Cat. No.	
Fixing Bolt T25	0.5	5900190	
Fixing Bolt T35	0.8	5900191	
Nut 705	0.4	96100010	
Nut 1205	1.1	96200040	