
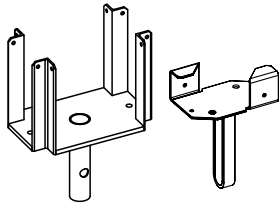
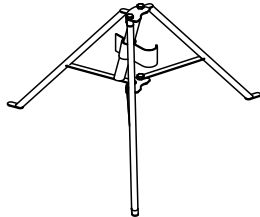
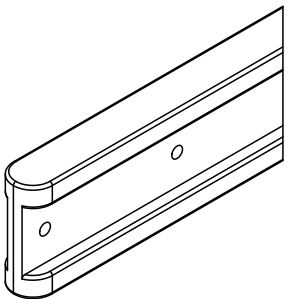
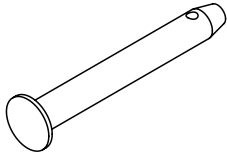


Description & Dimensions	Weight (kg)	Cat. No.	
Prop 180/300 20 kN		6250100	
Prop 280/500 20 kN		6250102	
Prop 180/300 30 kN		6250101	
Prop 280/500 30 kN		6250103	
4-Way Head	3.0	6250130	
Supporting Head	0.7	6250135	
Tripod	10.0	6250110	
H20 Timber Beam L=4.90m	22.1	6260010	
H20 Timber Beam L=3.90m	17.6	6260015	
H20 Timber Beam L=3.60m	16.2	6260020	
H20 Timber Beam L=3.30m	14.9	6260025	
H20 Timber Beam L=2.90m	13.1	6260030	
H20 Timber Beam L=2.65m	11.9	6260040	
H20 Timber Beam L=2.45m	11.1	6260045	
H20 Timber Beam L=1.90m	8.6	6260050	
Pin Ø14 mm	0.15	91300050	
Pin R Galvanized 4x75	0.01	91300010	